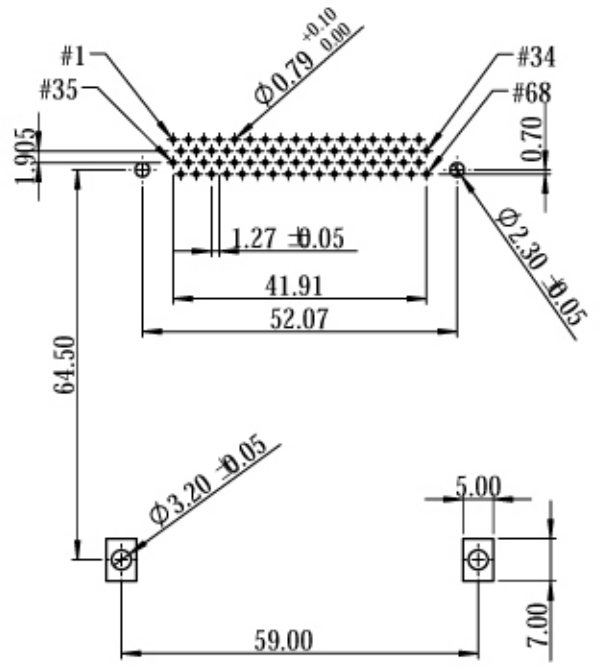
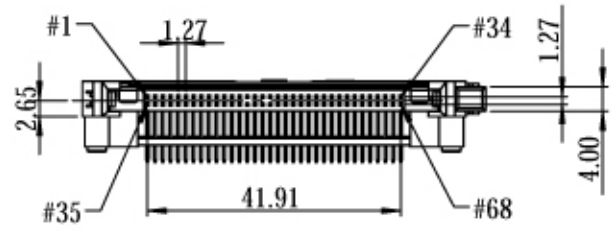


PART NO.	DIM. A±0.20
007022TP20C	2.00
007022TP50C	5.00



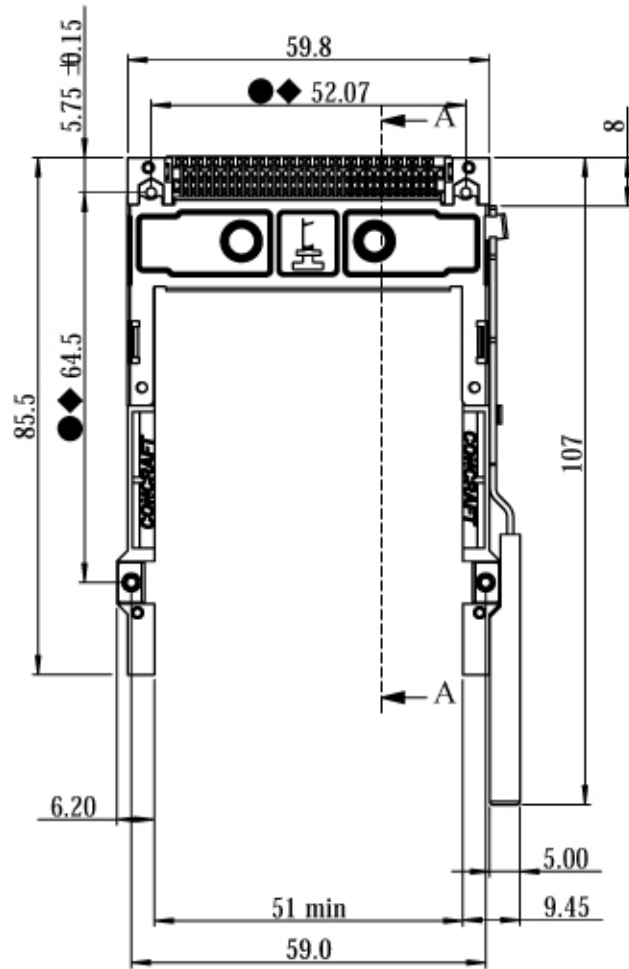
NOTE:  
 1. INSPECTION SYMBOL:  
 ● : MANUFACTURER INSPECTION  
 ◆ : Q.C INSPECTION  
 2. PLEASE REFER TO TABLE 1 FOR TERMINAL LENGTH.

TABLE 1

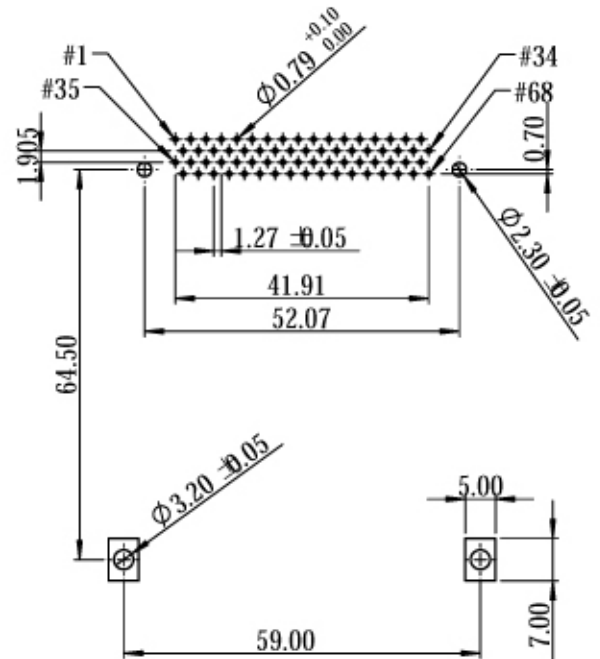
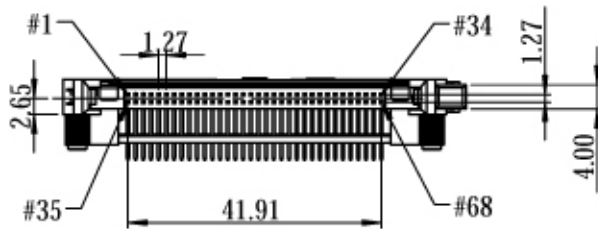
PIN TYPE	DIM. L ±0.20	PIN NUMBER
DETECT	3.50 mm	36 , 67
GENERAL	4.25 mm	THE REST
POWER	5.00 mm	1, 17, 34, 35, 51, 68

PCB LAYOUT : COMPONENT SIDE

				GENERAL TOLERANCE		DRAW: OLIVE	PART NO: 007022TP□□C
				X. ±0.30	X.° ±2.00°	CHECKED:	TITLE: PCMCIA ASSEMBLY
C	E060011A		01/26/2006	.X ±0.20	.X.° ±1.00°	APPROVE:	DRAWING NO: 007022TP□□C
B	E050119A	OLIVE	08/23/2005	.XX ±0.10	.XX.° ±0.50°		
REV.	ECO NO.	DESCRIPTION	DATE	UNITS: mm	SHEET: 1 / 2		
MATERIAL:	FINISH:	DATE: 02 / 15 / 2005	REV. A				



PART NO.	DIM. A ±0.20
007022TP55C	5.50



NOTE:  
 1. INSPECTION SYMBOL:  
 ● : MANUFACTURER INSPECTION  
 ◆ : Q.C INSPECTION  
 2. PLEASE REFER TO TABLE 1 FOR TERMINAL LENGTH.

PIN TYPE	DIM. L ±0.20	PIN NUMBER
DETECT	3.50 mm	36 , 67
GENERAL	4.25 mm	THE REST
POWER	5.00 mm	1, 17, 34, 35, 51, 68

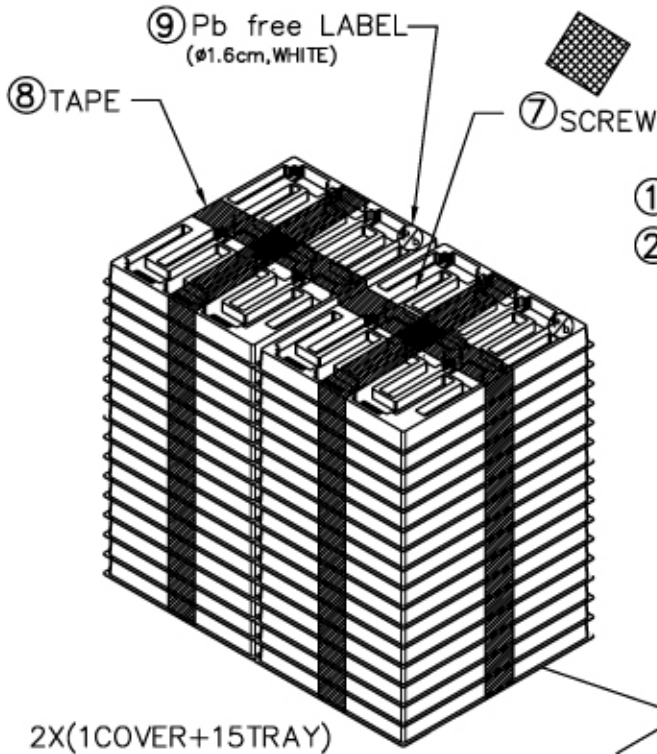
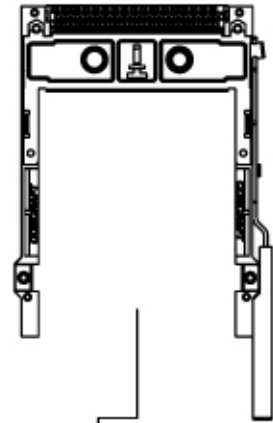
PCB LAYOUT : COMPONENT SIDE

				GENERAL TOLERANCE		DRAW: OLIVE	PART NO: 007022TP□□C
				X. ±0.30	X° ±2.00°	CHECKED:	TITLE: PCMCIA ASSEMBLY
C	E060011A		01/26/2006	.X ±0.20	.X° ±1.00°	APPROVE:	DRAWING NO: 007022TP□□C
B	E050119A	OLIVE	08/23/2005	.XX ±0.10	.XX° ±0.50°		
REV.	ECO NO.	DESCRIPTION	DATE	UNITS: mm	SHEET: 2 / 2		
MATERIAL:	FINISH:	DATE: 02 / 15 / 2005	REV. A				

A B C D E F

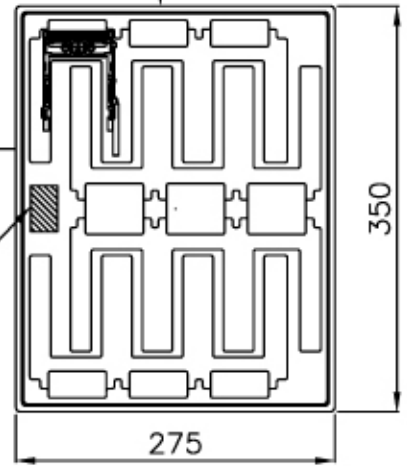
	A	B	C	D	E	F
	MATERIAL	P/N	REMARKS			
1	TRAY	TRAY 007-005B	30 TRAY X 12 PCS			
2	COVER	TRAY 007-005B	2X(1COVER+15TRAY)			
3	CARTON	CTN-C100A	CARTON/30 TRAYS/360PCS			
4	POLY BAG	P-0001	1 POLY BAG/CARTON			
5	LABEL		1 LABEL/CARTON			
6	LABEL		1 LABEL/TRAY			
7	SCREW	000-FA2I120A	PACKAGE/4X360PCS/1440PCS			
8	TAPE					
9	Pb free LABEL		1 LABEL/COVER 1 LABEL/CARTON			

007022TP50C



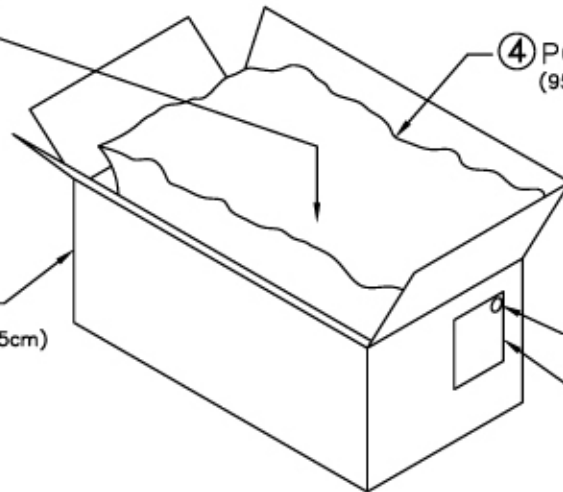
- ① TRAY
- ② COVER

⑥ LABEL  
(2.5cm\*1.6cm)



2X(1COVER+15TRAY)

③ CARTON  
(57.5cm\*37.5cm\*30.5cm)



④ POLY BAG  
(95cm\*85cm\*0.05mm)

⑨ Pb free LABEL  
(ø1.6cm, WHITE)

⑤ LABEL  
(10cm\*10cm)

REV.	ECO NO.	DESCRIPTION	DATE	GENERAL TOLERANCE	DRAW:	PART NO.:
				X. ±0.30		P-007022T□5□□
				.X ±0.20	CHECKED:	TITLE:
				.XX ±0.10		PACKING INFORMATION
				.XXX±0.05	APPROVE:	DRAWING NO.
				UNITS: mm		P-007022T□5□□
				SHEET: 2 / 2		
				REV. A		